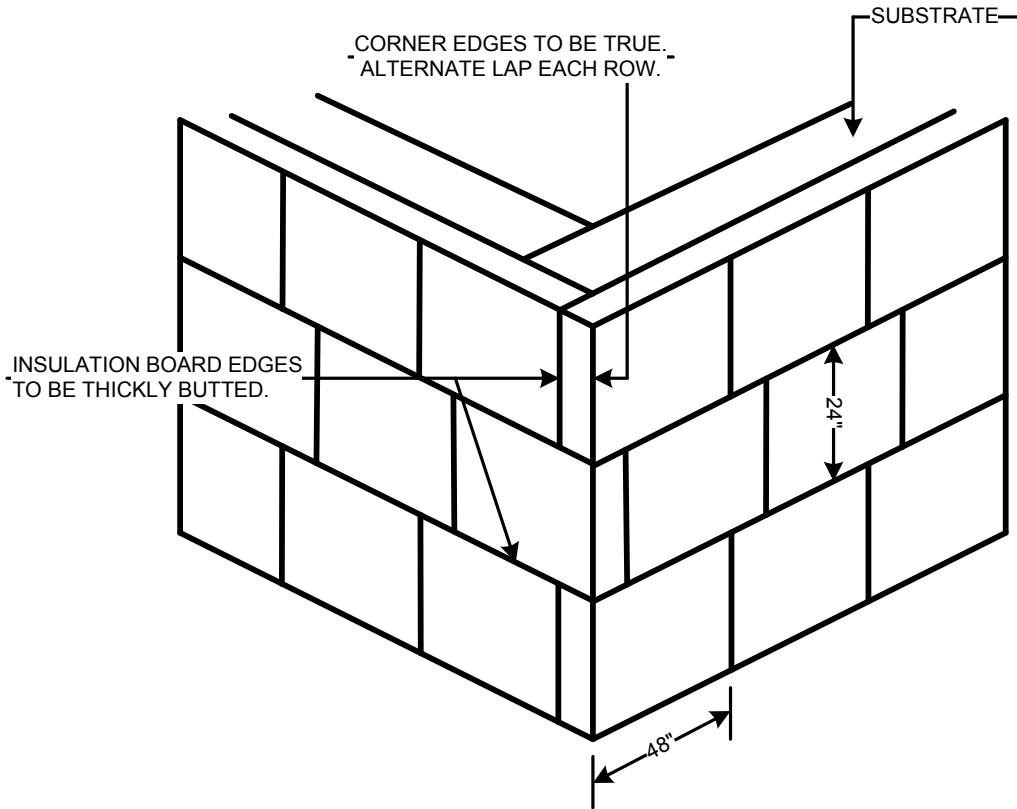


**NEW YORK STUCCO
EIFS TYPE APPLICATION SYSTEM DETAILS
— EPS INSULATION BOARD LAYOUT —**

DETAIL 1



NOTICE AND DISCLAIMER: These drawings and comments are for general information only. Formulated Solutions LLC (FS) specifically disclaims any design or construction intent of responsibility for their use. The architecture, design and engineering of the project are the responsibility of the project's design professionals.

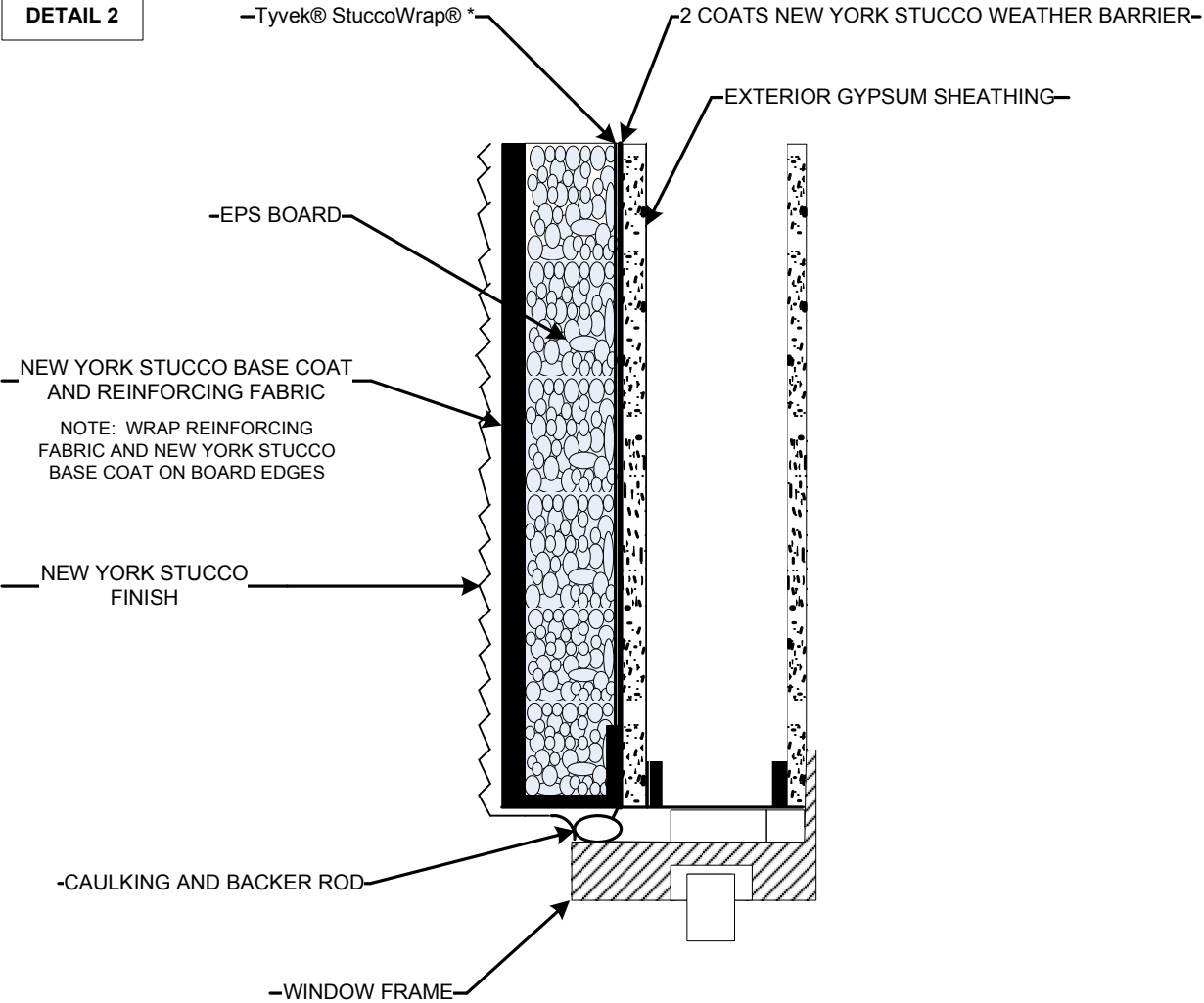
These drawings are not intended as an exclusive method for achieving a desired outcome or performance. The project design professional, in its sole discretion, determines whether this detail or a functionally equivalent alternative is best suited for the project. This detail is for guidance only and is subject to change without notice.

FS's products are intended for use by qualified professional contractors, not D-I-Y consumers and handymen. FS's products must be specified by a qualified design professional, general contractor or builder as an element of a larger construction project. It must be installed in accordance with FS's instructions, the designer's specifications and local building code.

Improper use of FS's products or use as part of an improperly designed or constructed larger assembly or building may result in serious damage to this product, and to the structure of the building or its components of which it is a part.

**NEW YORK STUCCO
EIFS TYPE APPLICATION SYSTEM DETAILS
— HEADERS AND DOOR JAMBS —**

DETAIL 2



* REFER TO DuPont™ Tyvek® StuccoWrap® SPECIFICATIONS, INSTALLATION INSTRUCTIONS, ARCHITECTURAL GUIDES AND OTHER INFORMATION PROVIDED BY DuPont™ ON THEIR WEBSITE FOR PROPER INSTALLATION OR TO QUALIFY FOR ANY WARRANTIES PROVIDED BY DuPont™ FOR THEIR StuccoWrap® PRODUCTS AT:
http://www2.dupont.com/Tyvek_Weatherization/en_US/products/residential/resi_stuccowrap.html
 Formulated Solutions LLC is in no way affiliated with DuPont™.
 DuPont™, Tyvek® and Tyvek® StuccoWrap® are registered trademarks or trademarks of DuPont or its affiliates.

NOTICE AND DISCLAIMER: These drawings and comments are for general information only. Formulated Solutions LLC (FS) specifically disclaims any design or construction intent of responsibility for their use. The architecture, design and engineering of the project are the responsibility of the project's design professionals.

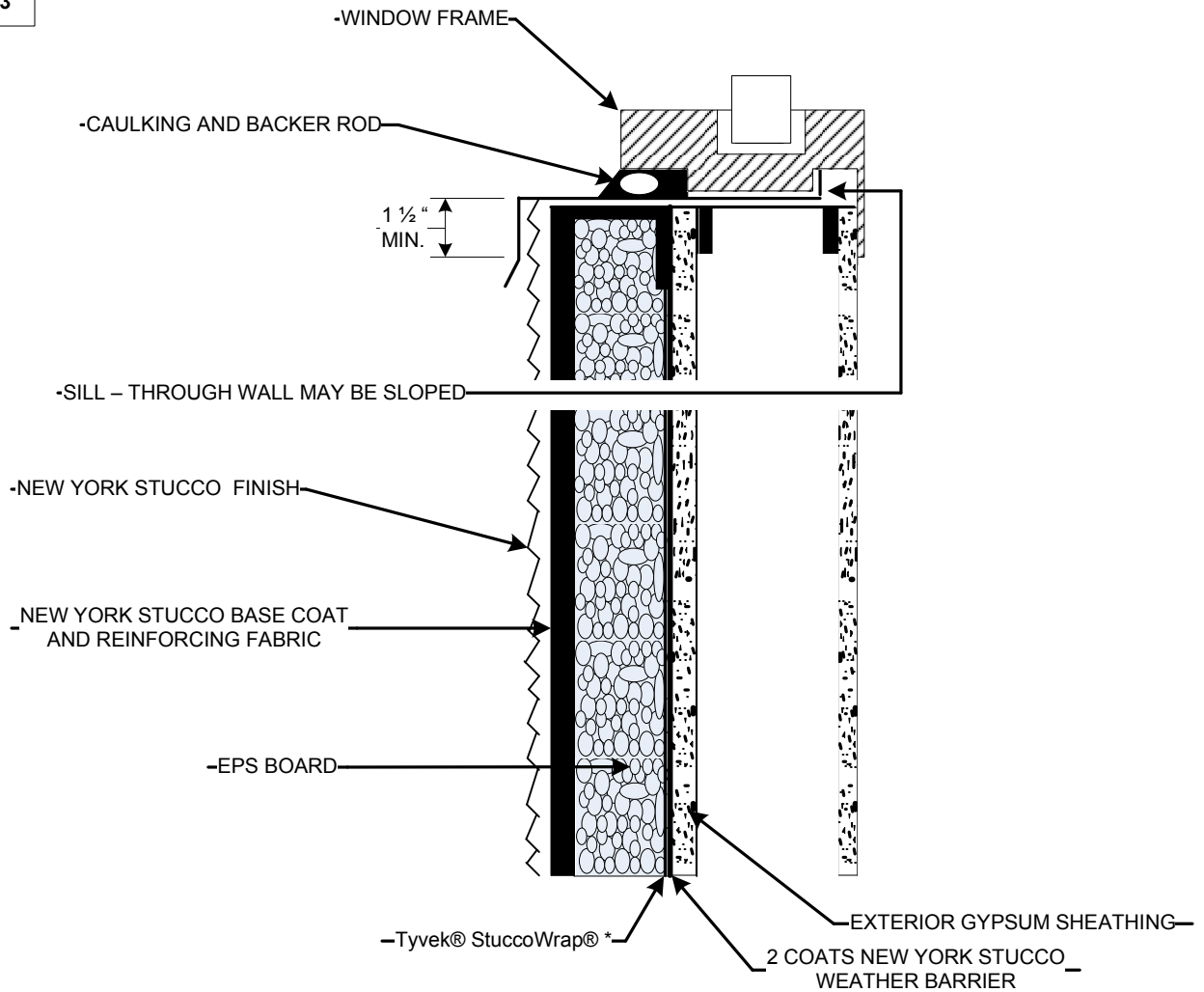
These drawings are not intended as an exclusive method for achieving a desired outcome or performance. The project design professional, in its sole discretion, determines whether this detail or a functionally equivalent alternative is best suited for the project. This detail is for guidance only and is subject to change without notice.

FS's products are intended for use by qualified professional contractors, not D-I-Y consumers and handymen. FS's products must be specified by a qualified design professional, general contractor or builder as an element of a larger construction project. It must be installed in accordance with FS's instructions, the designer's specifications and local building code.

Improper use of FS's products or use as part of an improperly designed or constructed larger assembly or building may result in serious damage to this product, and to the structure of the building or its components of which it is a part.

**NEW YORK STUCCO
EIFS TYPE APPLICATION SYSTEM DETAILS
—WINDOW JAMBS—**

DETAIL 3



* REFER TO DuPont™ Tyvek® StuccoWrap® SPECIFICATIONS, INSTALLATION INSTRUCTIONS, ARCHITECTURAL GUIDES AND OTHER INFORMATION PROVIDED BY DuPont™ ON THEIR WEBSITE FOR PROPER INSTALLATION OR TO QUALIFY FOR ANY WARRANTIES PROVIDED BY DuPont™ FOR THEIR StuccoWrap® PRODUCTS AT:

http://www2.dupont.com/Tyvek_Weatherization/en_US/products/residential/resi_stuccowrap.html

Formulated Solutions LLC is in no way affiliated with DuPont™.

DuPont™, Tyvek® and Tyvek® StuccoWrap® are registered trademarks or trademarks of DuPont or its affiliates.

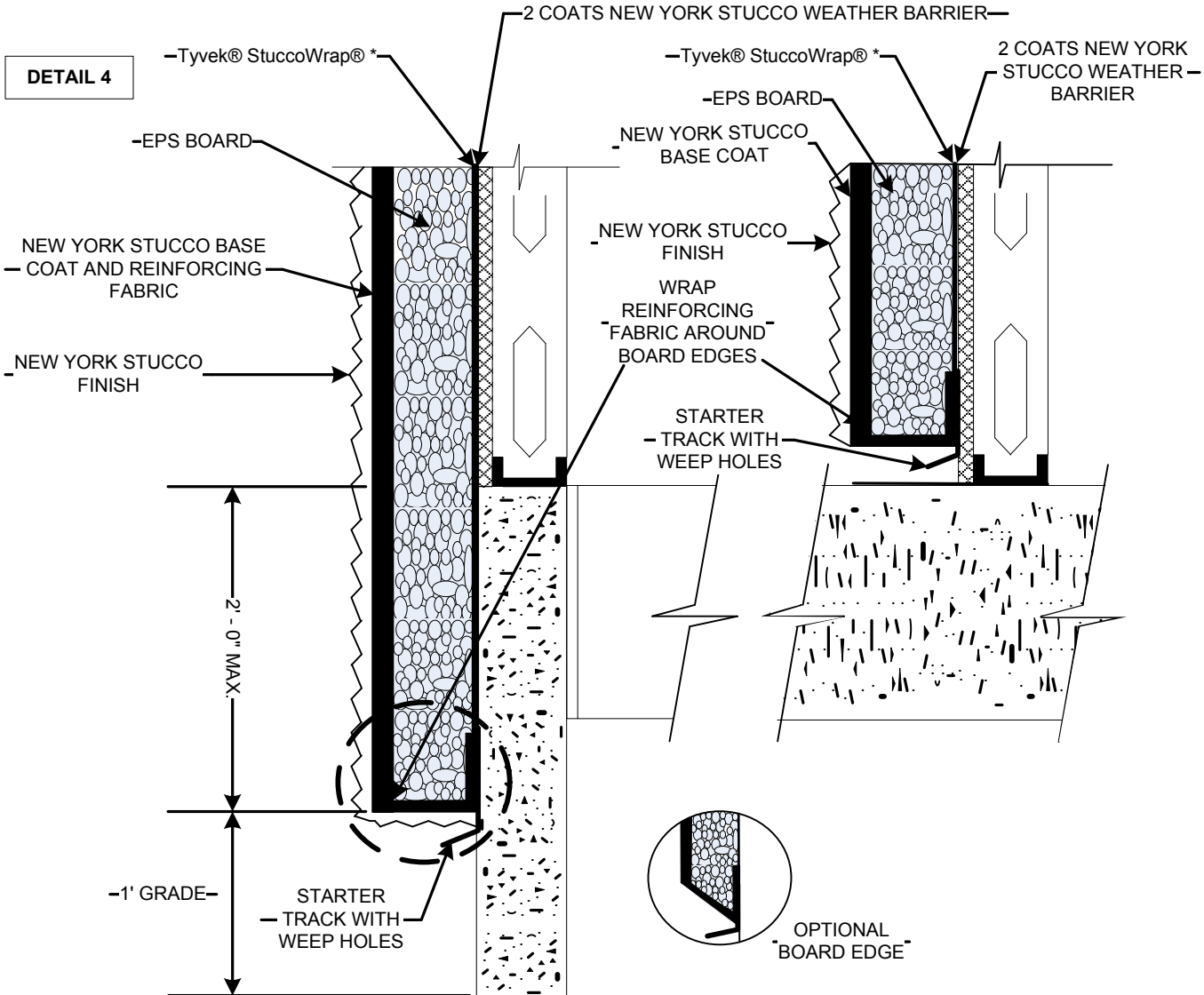
NOTICE AND DISCLAIMER: These drawings and comments are for general information only. Formulated Solutions LLC (FS) specifically disclaims any design or construction intent of responsibility for their use. The architecture, design and engineering of the project are the responsibility of the project's design professionals.

These drawings are not intended as an exclusive method for achieving a desired outcome or performance. The project design professional, in its sole discretion, determines whether this detail or a functionally equivalent alternative is best suited for the project. This detail is for guidance only and is subject to change without notice.

FS's products are intended for use by qualified professional contractors, not D-I-Y consumers and handymen. FS's products must be specified by a qualified design professional, general contractor or builder as an element of a larger construction project. It must be installed in accordance with FS's instructions, the designer's specifications and local building code.

Improper use of FS's products or use as part of an improperly designed or constructed larger assembly or building may result in serious damage to this product, and to the structure of the building or its components of which it is a part.

**NEW YORK STUCCO
EIFS TYPE APPLICATION SYSTEM DETAILS
FOUNDATIONS**



* REFER TO DuPont™ Tyvek® StuccoWrap® SPECIFICATIONS, INSTALLATION INSTRUCTIONS, ARCHITECTURAL GUIDES AND OTHER INFORMATION PROVIDED BY DuPont™ ON THEIR WEBSITE FOR PROPER INSTALLATION OR TO QUALIFY FOR ANY WARRANTIES PROVIDED BY DuPont™ FOR THEIR StuccoWrap® PRODUCTS AT:

http://www2.dupont.com/Tyvek_Weatherization/en_US/products/residential/resi_stuccowrap.html

Formulated Solutions LLC is in no way affiliated with DuPont™.

DuPont™, Tyvek® and Tyvek® StuccoWrap® are registered trademarks or trademarks of DuPont or its affiliates.

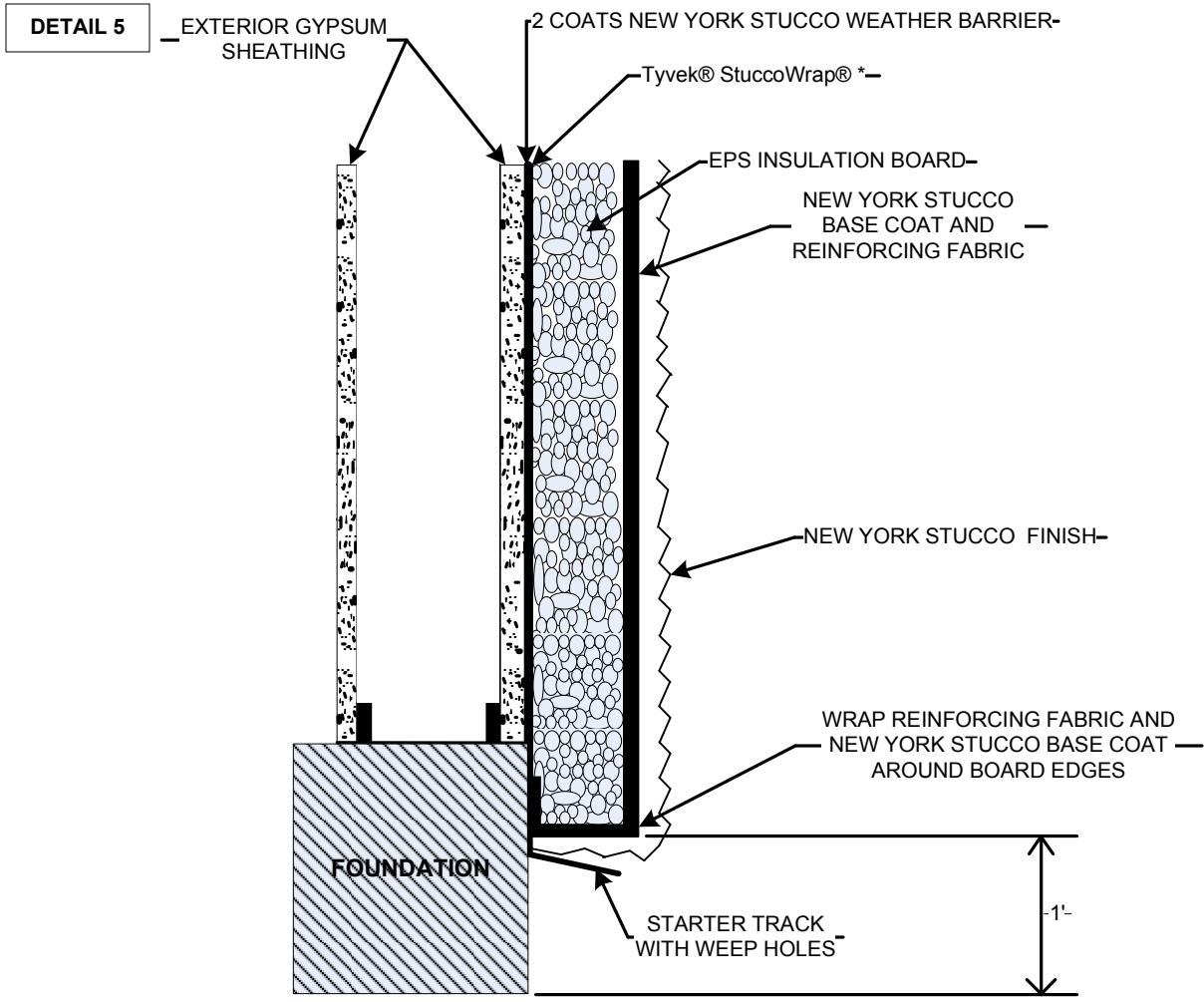
NOTICE AND DISCLAIMER: These drawings and comments are for general information only. Formulated Solutions LLC (FS) specifically disclaims any design or construction intent of responsibility for their use. The architecture, design and engineering of the project are the responsibility of the project's design professionals.

These drawings are not intended as an exclusive method for achieving a desired outcome or performance. The project design professional, in its sole discretion, determines whether this detail or a functionally equivalent alternative is best suited for the project. This detail is for guidance only and is subject to change without notice.

FS's products are intended for use by qualified professional contractors, not D-I-Y consumers and handymen. FS's products must be specified by a qualified design professional, general contractor or builder as an element of a larger construction project. It must be installed in accordance with FS's instructions, the designer's specifications and local building code.

Improper use of FS's products or use as part of an improperly designed or constructed larger assembly or building may result in serious damage to this product, and to the structure of the building or its components of which it is a part.

**NEW YORK STUCCO
EIFS TYPE APPLICATION SYSTEM DETAILS
— WALL STOP —**



* REFER TO DuPont™ Tyvek® StuccoWrap® SPECIFICATIONS, INSTALLATION INSTRUCTIONS, ARCHITECTURAL GUIDES AND OTHER INFORMATION PROVIDED BY DuPont™ ON THEIR WEBSITE FOR PROPER INSTALLATION OR TO QUALIFY FOR ANY WARRANTIES PROVIDED BY DuPont™ FOR THEIR StuccoWrap® PRODUCTS AT:
http://www2.dupont.com/Tyvek_Weatherization/en_US/products/residential/resi_stuccowrap.html
 Formulated Solutions LLC is in no way affiliated with DuPont™.
 DuPont™, Tyvek® and Tyvek® StuccoWrap® are registered trademarks or trademarks of DuPont or its affiliates.

NOTICE AND DISCLAIMER: These drawings and comments are for general information only. Formulated Solutions LLC (FS) specifically disclaims any design or construction intent of responsibility for their use. The architecture, design and engineering of the project are the responsibility of the project's design professionals.

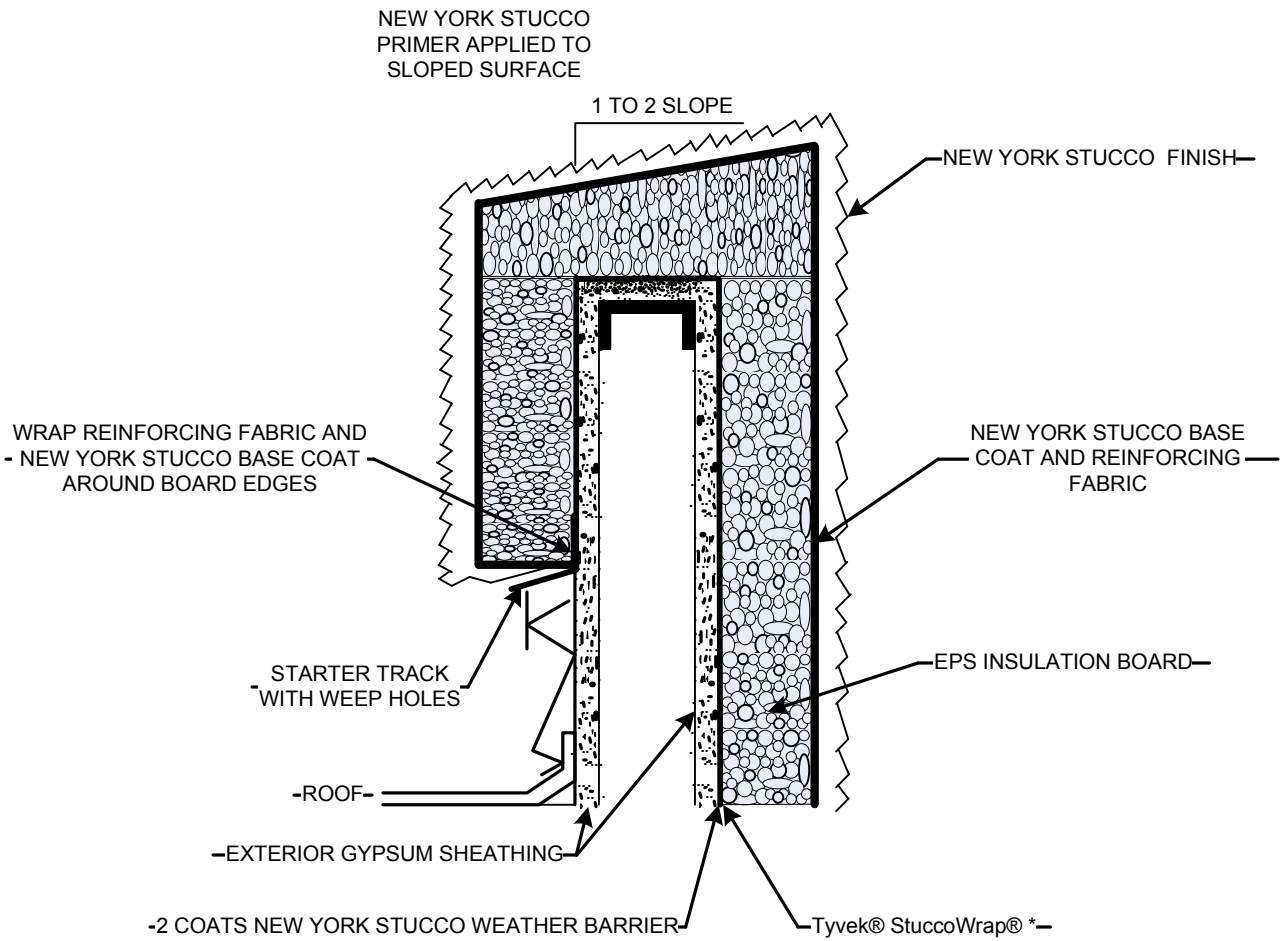
These drawings are not intended as an exclusive method for achieving a desired outcome or performance. The project design professional, in its sole discretion, determines whether this detail or a functionally equivalent alternative is best suited for the project. This detail is for guidance only and is subject to change without notice.

FS's products are intended for use by qualified professional contractors, not D-I-Y consumers and handymen. FS's products must be specified by a qualified design professional, general contractor or builder as an element of a larger construction project. It must be installed in accordance with FS's instructions, the designer's specifications and local building code.

Improper use of FS's products or use as part of an improperly designed or constructed larger assembly or building may result in serious damage to this product, and to the structure of the building or its components of which it is a part.

**NEW YORK STUCCO
EIFS TYPE APPLICATION SYSTEM DETAILS
PARAPETS**

DETAIL 6



* REFER TO DuPont™ Tyvek® StuccoWrap® SPECIFICATIONS, INSTALLATION INSTRUCTIONS, ARCHITECTURAL GUIDES AND OTHER INFORMATION PROVIDED BY DuPont™ ON THEIR WEBSITE FOR PROPER INSTALLATION OR TO QUALIFY FOR ANY WARRANTIES PROVIDED BY DuPont™ FOR THEIR StuccoWrap® PRODUCTS AT:
http://www2.dupont.com/Tyvek_Weatherization/en_US/products/residential/resi_stuccowrap.html

Formulated Solutions LLC is in no way affiliated with DuPont™.

DuPont™, Tyvek® and Tyvek® StuccoWrap® are registered trademarks or trademarks of DuPont or its affiliates.

NOTICE AND DISCLAIMER: These drawings and comments are for general information only. Formulated Solutions LLC (FS) specifically disclaims any design or construction intent of responsibility for their use. The architecture, design and engineering of the project are the responsibility of the project's design professionals.

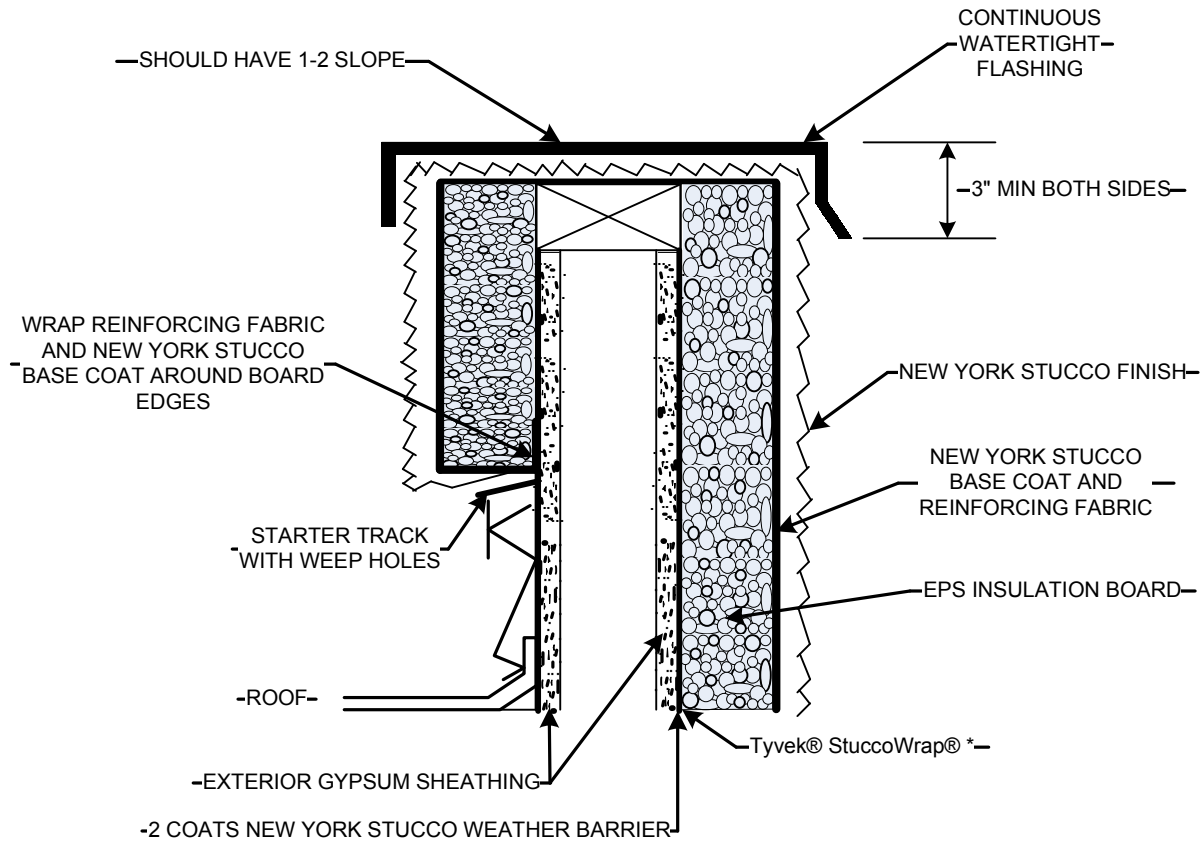
These drawings are not intended as an exclusive method for achieving a desired outcome or performance. The project design professional, in its sole discretion, determines whether this detail or a functionally equivalent alternative is best suited for the project. This detail is for guidance only and is subject to change without notice.

FS's products are intended for use by qualified professional contractors, not D-I-Y consumers and handymen. FS's products must be specified by a qualified design professional, general contractor or builder as an element of a larger construction project. It must be installed in accordance with FS's instructions, the designer's specifications and local building code.

Improper use of FS's products or use as part of an improperly designed or constructed larger assembly or building may result in serious damage to this product, and to the structure of the building or its components of which it is a part.

**NEW YORK STUCCO
EIFS TYPE APPLICATION SYSTEM DETAILS
—PARAPETS—**

DETAIL 7



* REFER TO DuPont™ Tyvek® StuccoWrap® SPECIFICATIONS, INSTALLATION INSTRUCTIONS, ARCHITECTURAL GUIDES AND OTHER INFORMATION PROVIDED BY DuPont™ ON THEIR WEBSITE FOR PROPER INSTALLATION OR TO QUALIFY FOR ANY WARRANTIES PROVIDED BY DuPont™ FOR THEIR StuccoWrap® PRODUCTS AT:
http://www2.dupont.com/Tyvek_Weatherization/en_US/products/residential/resi_stuccowrap.html
 Formulated Solutions LLC is in no way affiliated with DuPont™.
 DuPont™, Tyvek® and Tyvek® StuccoWrap® are registered trademarks or trademarks of DuPont or its affiliates.

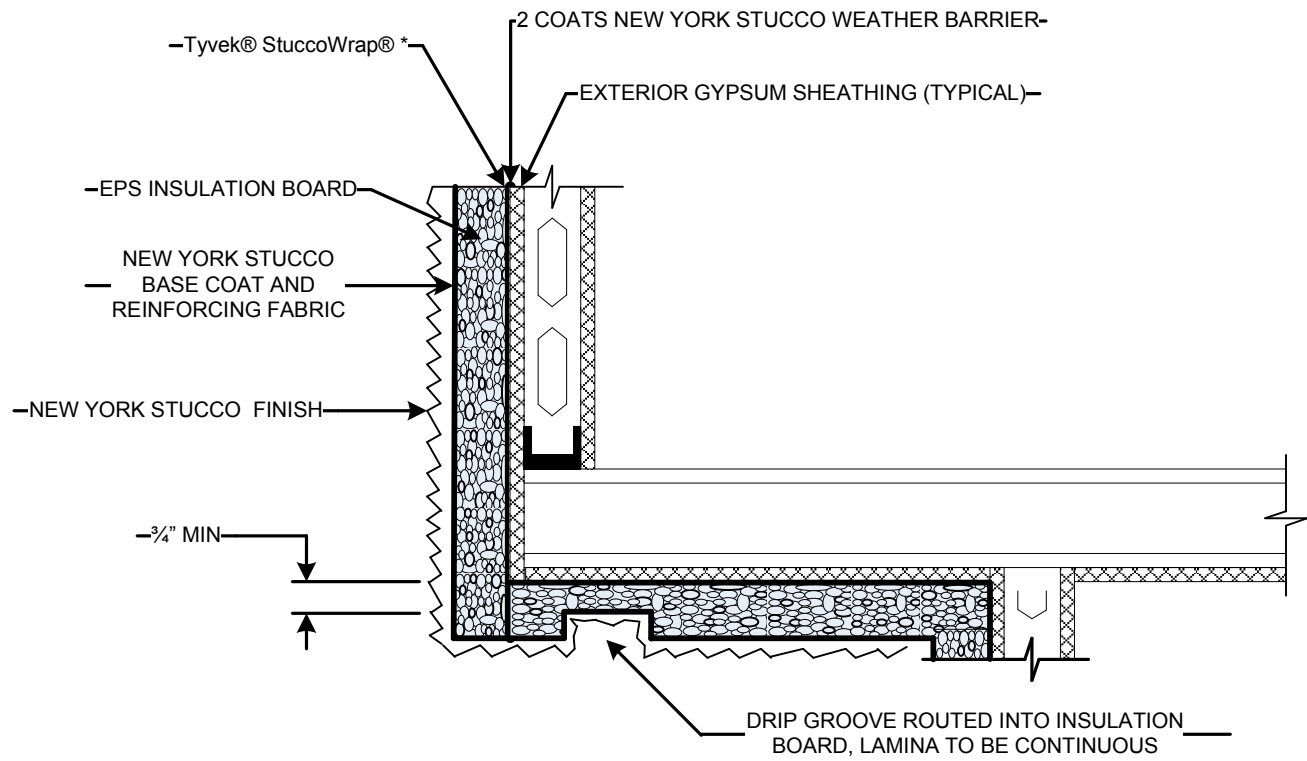
NOTICE AND DISCLAIMER: These drawings and comments are for general information only. Formulated Solutions LLC (FS) specifically disclaims any design or construction intent of responsibility for their use. The architecture, design and engineering of the project are the responsibility of the project's design professionals.

These drawings are not intended as an exclusive method for achieving a desired outcome or performance. The project design professional, in its sole discretion, determines whether this detail or a functionally equivalent alternative is best suited for the project. This detail is for guidance only and is subject to change without notice.

FS's products are intended for use by qualified professional contractors, not D-I-Y consumers and handymen. FS's products must be specified by a qualified design professional, general contractor or builder as an element of a larger construction project. It must be installed in accordance with FS's instructions, the designer's specifications and local building code.

Improper use of FS's products or use as part of an improperly designed or constructed larger assembly or building may result in serious damage to this product, and to the structure of the building or its components of which it is a part.

DETAIL 8



* REFER TO DuPont™ Tyvek® StuccoWrap® SPECIFICATIONS, INSTALLATION INSTRUCTIONS, ARCHITECTURAL GUIDES AND OTHER INFORMATION PROVIDED BY DuPont™ ON THEIR WEBSITE FOR PROPER INSTALLATION OR TO QUALIFY FOR ANY WARRANTIES PROVIDED BY DuPont™ FOR THEIR StuccoWrap® PRODUCTS AT:
http://www2.dupont.com/Tyvek_Weatherization/en_US/products/residential/resi_stuccowrap.html
 Formulated Solutions LLC is in no way affiliated with DuPont™.
 DuPont™, Tyvek® and Tyvek® StuccoWrap® are registered trademarks or trademarks of DuPont or its affiliates.

NOTICE AND DISCLAIMER: These drawings and comments are for general information only. Formulated Solutions LLC (FS) specifically disclaims any design or construction intent of responsibility for their use. The architecture, design and engineering of the project are the responsibility of the project's design professionals.

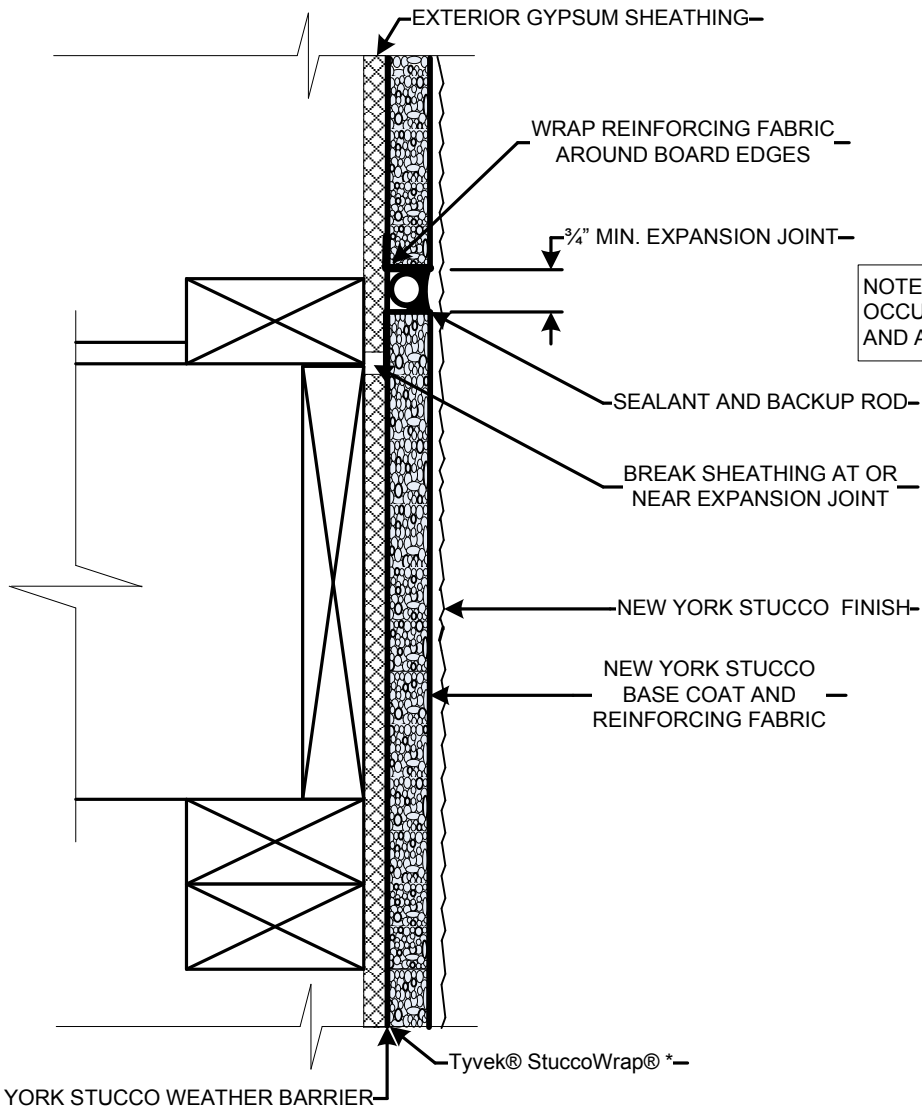
These drawings are not intended as an exclusive method for achieving a desired outcome or performance. The project design professional, in its sole discretion, determines whether this detail or a functionally equivalent alternative is best suited for the project. This detail is for guidance only and is subject to change without notice.

FS's products are intended for use by qualified professional contractors, not D-I-Y consumers and handymen. FS's products must be specified by a qualified design professional, general contractor or builder as an element of a larger construction project. It must be installed in accordance with FS's instructions, the designer's specifications and local building code.

Improper use of FS's products or use as part of an improperly designed or constructed larger assembly or building may result in serious damage to this product, and to the structure of the building or its components of which it is a part.

**NEW YORK STUCCO
EIFS TYPE APPLICATION SYSTEM DETAILS
—WOOD FRAME CONSTRUCTION—**

DETAIL 9



NOTE: THIS JOINT SHOULD OCCUR AT EACH FLOOR LINE AND AT THE FOUNDATION.

—2 COATS NEW YORK STUCCO WEATHER BARRIER—



* REFER TO DuPont™ Tyvek® StuccoWrap® SPECIFICATIONS, INSTALLATION INSTRUCTIONS, ARCHITECTURAL GUIDES AND OTHER INFORMATION PROVIDED BY DuPont™ ON THEIR WEBSITE FOR PROPER INSTALLATION OR TO QUALIFY FOR ANY WARRANTIES PROVIDED BY DuPont™ FOR THEIR StuccoWrap® PRODUCTS AT:
http://www2.dupont.com/Tyvek_Weatherization/en_US/products/residential/resi_stuccowrap.html
Formulated Solutions LLC is in no way affiliated with DuPont™.
DuPont™, Tyvek® and Tyvek® StuccoWrap® are registered trademarks or trademarks of DuPont or its affiliates.

NOTICE AND DISCLAIMER: These drawings and comments are for general information only. Formulated Solutions LLC (FS) specifically disclaims any design or construction intent of responsibility for their use. The architecture, design and engineering of the project are the responsibility of the project's design professionals.

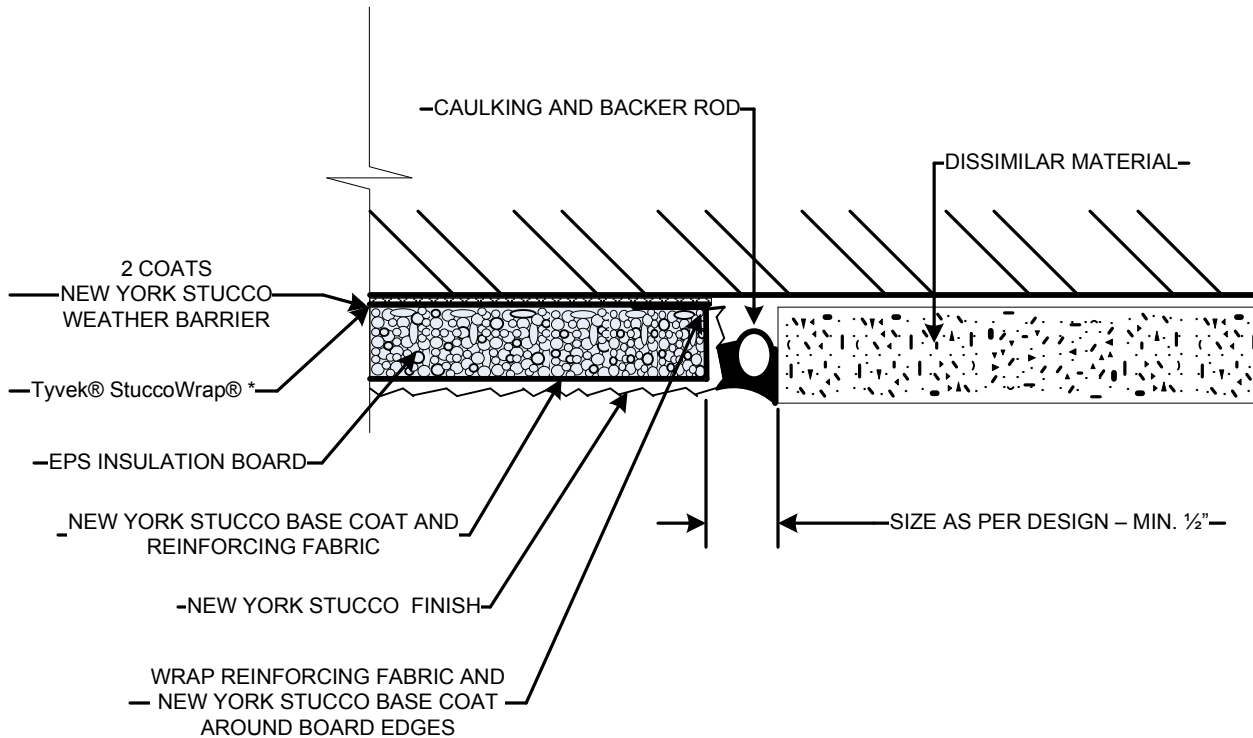
These drawings are not intended as an exclusive method for achieving a desired outcome or performance. The project design professional, in its sole discretion, determines whether this detail or a functionally equivalent alternative is best suited for the project. This detail is for guidance only and is subject to change without notice.

FS's products are intended for use by qualified professional contractors, not D-I-Y consumers and handymen. FS's products must be specified by a qualified design professional, general contractor or builder as an element of a larger construction project. It must be installed in accordance with FS's instructions, the designer's specifications and local building code.

Improper use of FS's products or use as part of an improperly designed or constructed larger assembly or building may result in serious damage to this product, and to the structure of the building or its components of which it is a part.

**NEW YORK STUCCO
EIFS TYPE APPLICATION SYSTEM DETAILS
— ABUTTING DISSIMILAR MATERIALS —**

DETAIL 10



* REFER TO DuPont™ Tyvek® StuccoWrap® SPECIFICATIONS, INSTALLATION INSTRUCTIONS, ARCHITECTURAL GUIDES AND OTHER INFORMATION PROVIDED BY DuPont™ ON THEIR WEBSITE FOR PROPER INSTALLATION OR TO QUALIFY FOR ANY WARRANTIES PROVIDED BY DuPont™ FOR THEIR StuccoWrap® PRODUCTS AT:
http://www2.dupont.com/Tyvek_Weatherization/en_US/products/residential/resi_stuccowrap.html
 Formulated Solutions LLC is in no way affiliated with DuPont™.
 DuPont™, Tyvek® and Tyvek® StuccoWrap® are registered trademarks or trademarks of DuPont or its affiliates.

NOTICE AND DISCLAIMER: These drawings and comments are for general information only. Formulated Solutions LLC (FS) specifically disclaims any design or construction intent of responsibility for their use. The architecture, design and engineering of the project are the responsibility of the project's design professionals.

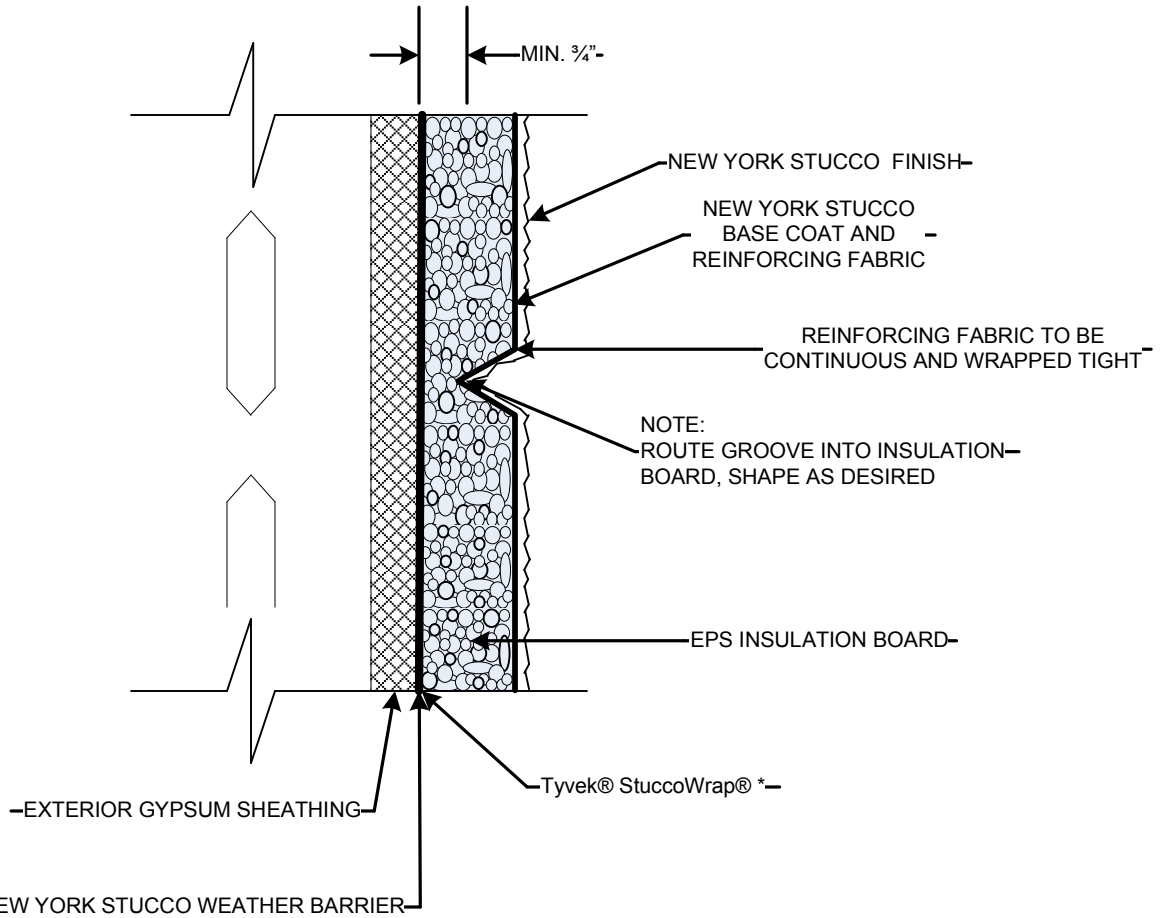
These drawings are not intended as an exclusive method for achieving a desired outcome or performance. The project design professional, in its sole discretion, determines whether this detail or a functionally equivalent alternative is best suited for the project. This detail is for guidance only and is subject to change without notice.

FS's products are intended for use by qualified professional contractors, not D-I-Y consumers and handymen. FS's products must be specified by a qualified design professional, general contractor or builder as an element of a larger construction project. It must be installed in accordance with FS's instructions, the designer's specifications and local building code.

Improper use of FS's products or use as part of an improperly designed or constructed larger assembly or building may result in serious damage to this product, and to the structure of the building or its components of which it is a part.

**NEW YORK STUCCO
EIFS TYPE APPLICATION SYSTEM DETAILS
V-JOINTS**

DETAIL 11



* REFER TO DuPont™ Tyvek® StuccoWrap® SPECIFICATIONS, INSTALLATION INSTRUCTIONS, ARCHITECTURAL GUIDES AND OTHER INFORMATION PROVIDED BY DuPont™ ON THEIR WEBSITE FOR PROPER INSTALLATION OR TO QUALIFY FOR ANY WARRANTIES PROVIDED BY DuPont™ FOR THEIR StuccoWrap® PRODUCTS AT:
http://www2.dupont.com/Tyvek_Weatherization/en_US/products/residential/resi_stuccowrap.html
 Formulated Solutions LLC is in no way affiliated with DuPont™.
 DuPont™, Tyvek® and Tyvek® StuccoWrap® are registered trademarks or trademarks of DuPont or its affiliates.

NOTICE AND DISCLAIMER: These drawings and comments are for general information only. Formulated Solutions LLC (FS) specifically disclaims any design or construction intent of responsibility for their use. The architecture, design and engineering of the project are the responsibility of the project's design professionals.

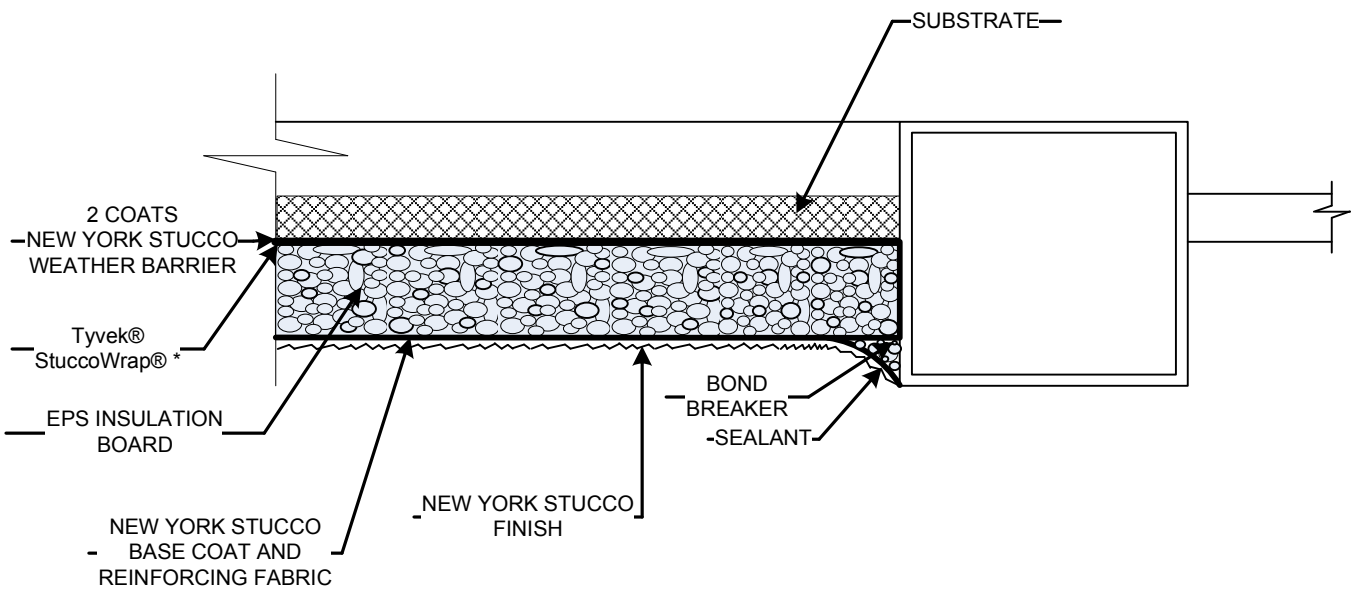
These drawings are not intended as an exclusive method for achieving a desired outcome or performance. The project design professional, in its sole discretion, determines whether this detail or a functionally equivalent alternative is best suited for the project. This detail is for guidance only and is subject to change without notice.

FS's products are intended for use by qualified professional contractors, not D-I-Y consumers and handymen. FS's products must be specified by a qualified design professional, general contractor or builder as an element of a larger construction project. It must be installed in accordance with FS's instructions, the designer's specifications and local building code.

Improper use of FS's products or use as part of an improperly designed or constructed larger assembly or building may result in serious damage to this product, and to the structure of the building or its components of which it is a part.

**NEW YORK STUCCO
EIFS TYPE APPLICATION SYSTEM DETAILS
—INSIDE CORNER CAULK—**

DETAIL 12



* REFER TO DuPont™ Tyvek® StuccoWrap® SPECIFICATIONS, INSTALLATION INSTRUCTIONS, ARCHITECTURAL GUIDES AND OTHER INFORMATION PROVIDED BY DuPont™ ON THEIR WEBSITE FOR PROPER INSTALLATION OR TO QUALIFY FOR ANY WARRANTIES PROVIDED BY DuPont™ FOR THEIR StuccoWrap® PRODUCTS AT:
http://www2.dupont.com/Tyvek_Weatherization/en_US/products/residential/resi_stuccowrap.html
 Formulated Solutions LLC is in no way affiliated with DuPont™.
 DuPont™, Tyvek® and Tyvek® StuccoWrap® are registered trademarks or trademarks of DuPont or its affiliates.

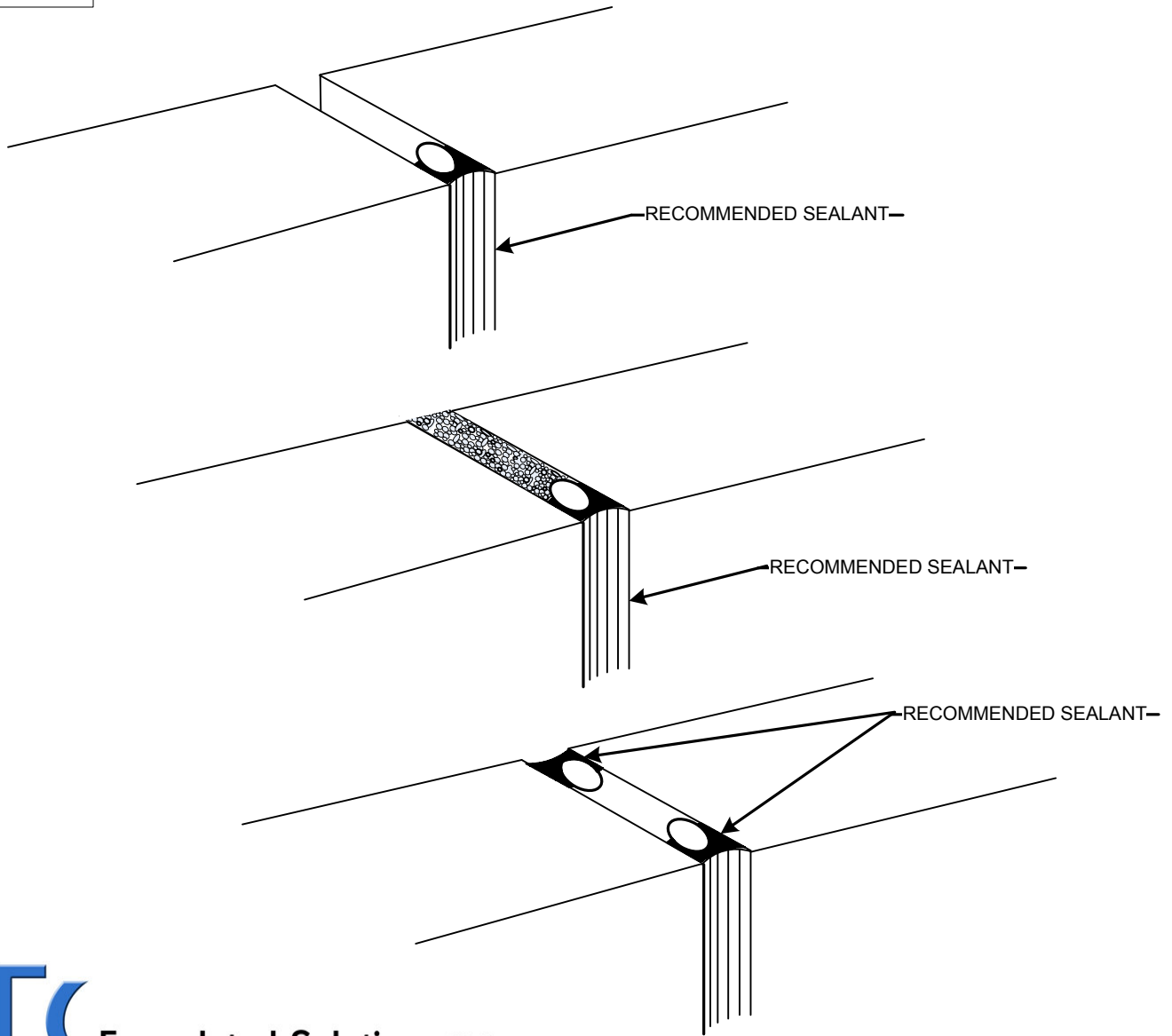
NOTICE AND DISCLAIMER: These drawings and comments are for general information only. Formulated Solutions LLC (FS) specifically disclaims any design or construction intent of responsibility for their use. The architecture, design and engineering of the project are the responsibility of the project's design professionals.

These drawings are not intended as an exclusive method for achieving a desired outcome or performance. The project design professional, in its sole discretion, determines whether this detail or a functionally equivalent alternative is best suited for the project. This detail is for guidance only and is subject to change without notice.

FS's products are intended for use by qualified professional contractors, not D-I-Y consumers and handymen. FS's products must be specified by a qualified design professional, general contractor or builder as an element of a larger construction project. It must be installed in accordance with FS's instructions, the designer's specifications and local building code.

Improper use of FS's products or use as part of an improperly designed or constructed larger assembly or building may result in serious damage to this product, and to the structure of the building or its components of which it is a part.

DETAIL 13



NOTICE AND DISCLAIMER: These drawings and comments are for general information only. Formulated Solutions LLC (FS) specifically disclaims any design or construction intent of responsibility for their use. The architecture, design and engineering of the project are the responsibility of the project's design professionals.

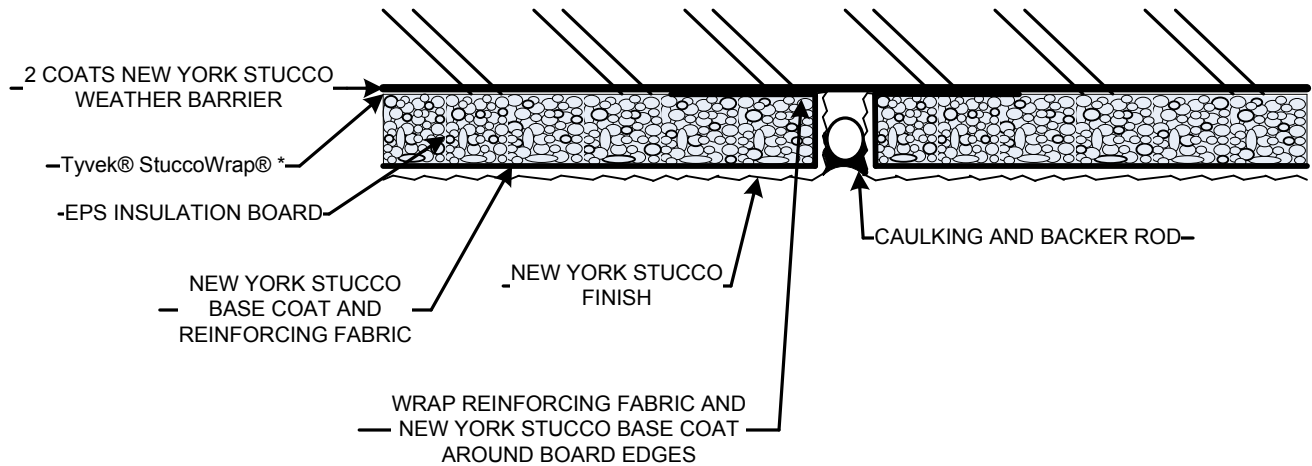
These drawings are not intended as an exclusive method for achieving a desired outcome or performance. The project design professional, in its sole discretion, determines whether this detail or a functionally equivalent alternative is best suited for the project. This detail is for guidance only and is subject to change without notice.

FS's products are intended for use by qualified professional contractors, not D-I-Y consumers and handymen. FS's products must be specified by a qualified design professional, general contractor or builder as an element of a larger construction project. It must be installed in accordance with FS's instructions, the designer's specifications and local building code.

Improper use of FS's products or use as part of an improperly designed or constructed larger assembly or building may result in serious damage to this product, and to the structure of the building or its components of which it is a part.

**NEW YORK STUCCO
EIFS TYPE APPLICATION SYSTEM DETAILS
EXPANSION JOINTS**

DETAIL 14



* REFER TO DuPont™ Tyvek® StuccoWrap® SPECIFICATIONS, INSTALLATION INSTRUCTIONS, ARCHITECTURAL GUIDES AND OTHER INFORMATION PROVIDED BY DuPont™ ON THEIR WEBSITE FOR PROPER INSTALLATION OR TO QUALIFY FOR ANY WARRANTIES PROVIDED BY DuPont™ FOR THEIR StuccoWrap® PRODUCTS AT:
http://www2.dupont.com/Tyvek_Weatherization/en_US/products/residential/resi_stuccowrap.html
 Formulated Solutions LLC is in no way affiliated with DuPont™.
 DuPont™, Tyvek® and Tyvek® StuccoWrap® are registered trademarks or trademarks of DuPont or its affiliates.

NOTICE AND DISCLAIMER: These drawings and comments are for general information only. Formulated Solutions LLC (FS) specifically disclaims any design or construction intent of responsibility for their use. The architecture, design and engineering of the project are the responsibility of the project's design professionals.

These drawings are not intended as an exclusive method for achieving a desired outcome or performance. The project design professional, in its sole discretion, determines whether this detail or a functionally equivalent alternative is best suited for the project. This detail is for guidance only and is subject to change without notice.

FS's products are intended for use by qualified professional contractors, not D-I-Y consumers and handymen. FS's products must be specified by a qualified design professional, general contractor or builder as an element of a larger construction project. It must be installed in accordance with FS's instructions, the designer's specifications and local building code.

Improper use of FS's products or use as part of an improperly designed or constructed larger assembly or building may result in serious damage to this product, and to the structure of the building or its components of which it is a part.